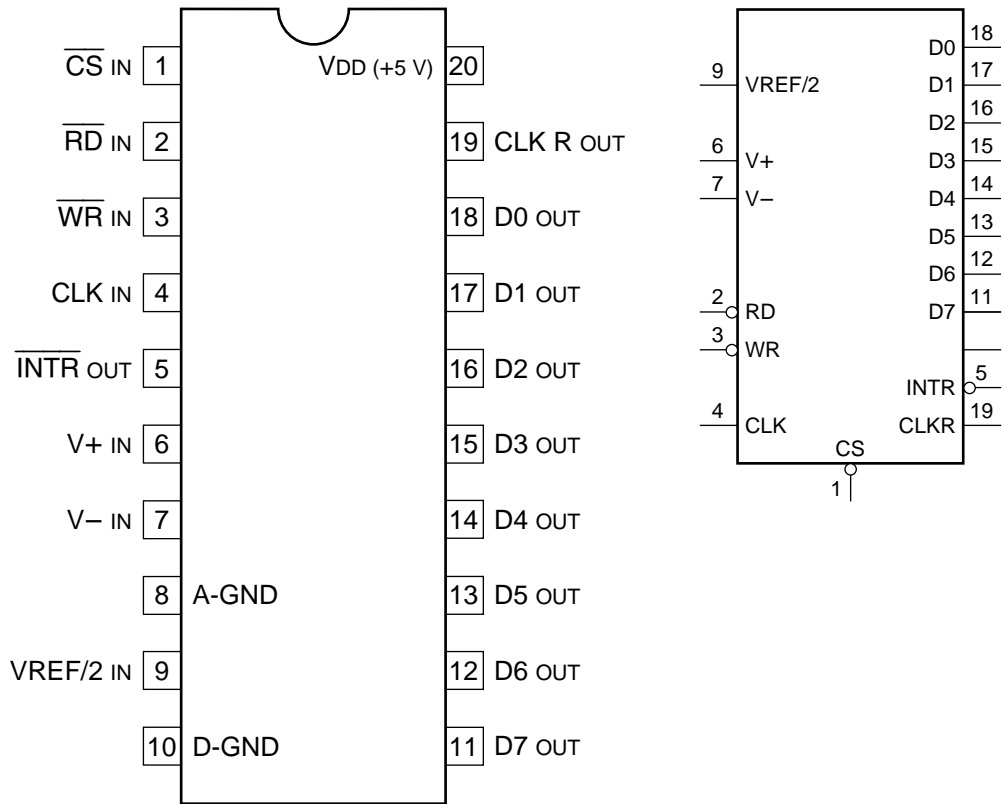
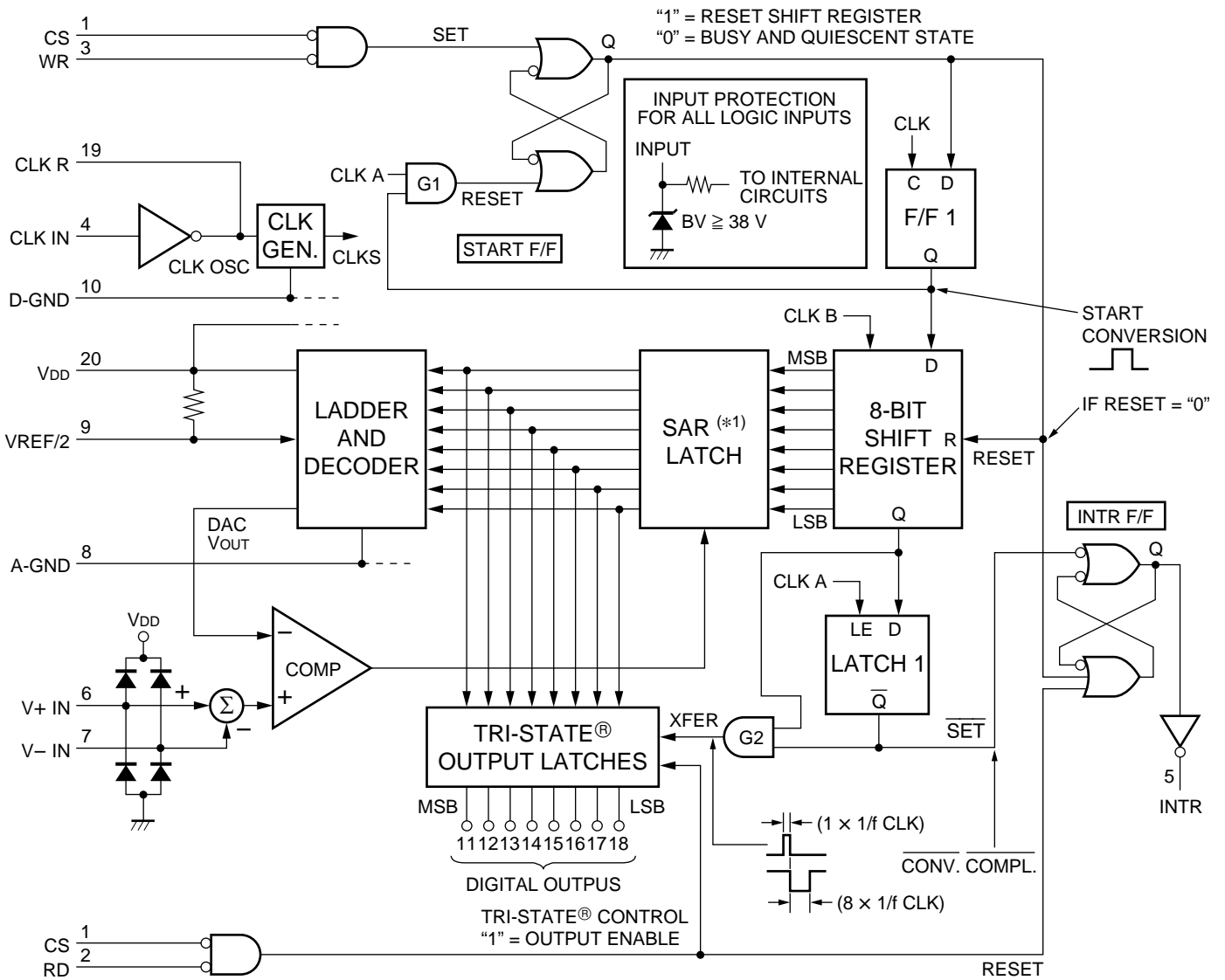


C-MOS 8-BIT A/D CONVERTER

—TOP VIEW—





(*1): SAR=SUCCESSIVE APPROXIMATION REGISTER